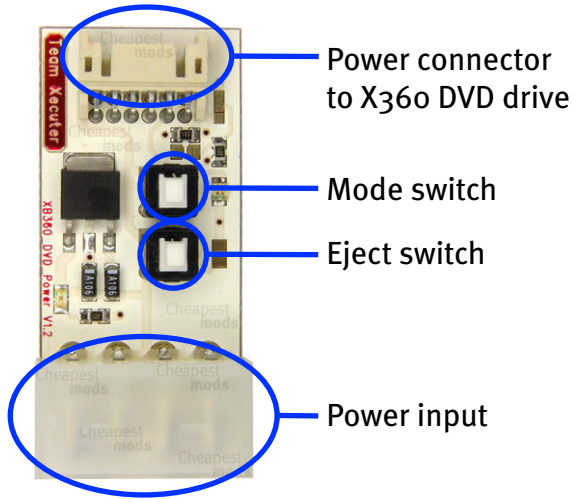
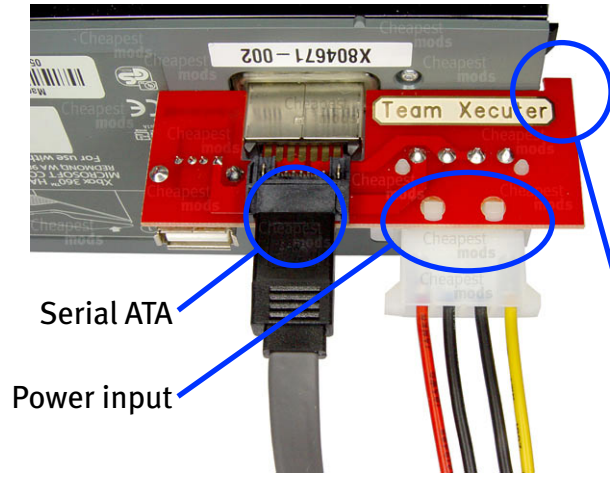


DVD power adapter



HDD connectivity adapter

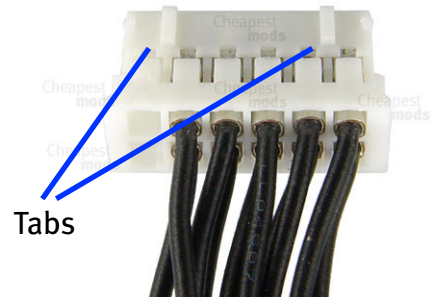
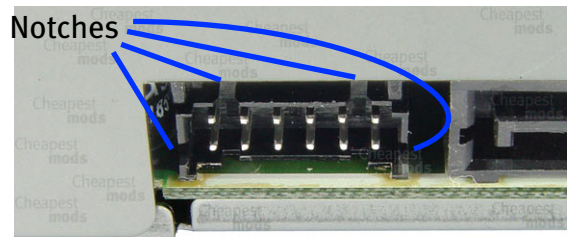


When connected the right way, the adapter should go past the edge of HDD.

NOTE: Laying the adapter on a conductive surface or connecting the wires the wrong way may cause a short circuit which may damage the adapter, DVD or HDD drive or the PC to which devices are connected. Additionally it may cause a fire hazard. Therefore we urge you to pay close attention to these instructions.

When connecting cables to adapter or drive, please make sure they're connected the right way. Pay special attention to DVD drive cable.

Connector on DVD drive and adapter has four deep notches. Align the cable connector tabs with the device connector notches. Then press the cable connector firmly into the device connector. Cable connector should go effortlessly to the bottom of the device connector.



Don't power anything up until you are sure that all connections are ok!

